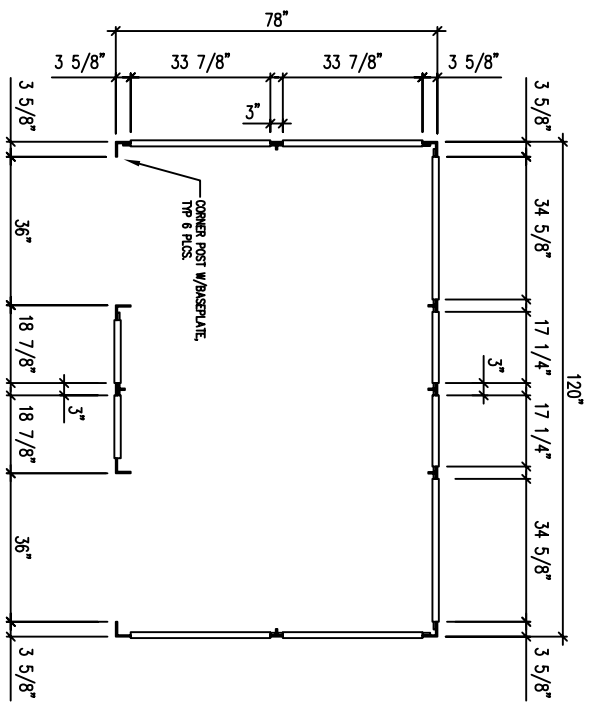
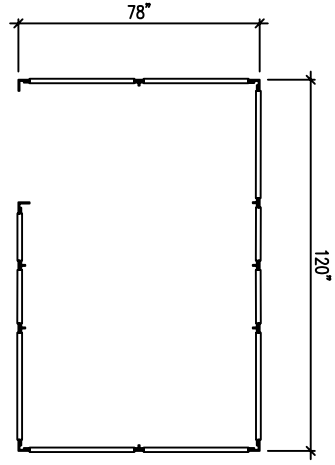


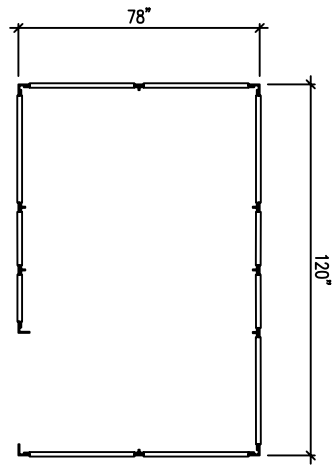
- GENERAL NOTES:
- 1) ALUMINUM FRAMING EXTRUSIONS HAVE A MILL FINISH.
  - 2) FIXED WINDOWS TO INCLUDE CLEAR TEMPERED GLAZING.
  - 3) UNIT INCLUDES FACTORY INSTALLED INTEGRAL ROOF WITH PERIMETER GUTTER.
  - 4) UNIT PROVIDED FACTORY ASSEMBLED. (NO FLOORING PROVIDED).



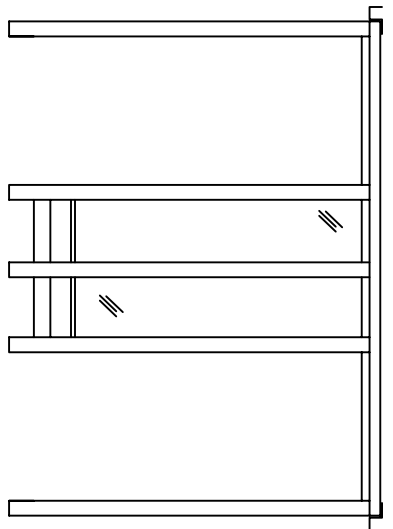
STYLE 'C' FLOOR PLAN



STYLE 'A' FLOOR PLAN



STYLE 'B' FLOOR PLAN



WALL ELEVATION

ORDER NO.	DRAWN BY:	DATE:	PRE-ASSEMBLED	P.O.	<b>PORTAFAB CORPORATION</b> 18000 CHESTERFIELD AIRPORT ROAD, CHESTERFIELD, MO 63005 email: <a href="mailto:engineer@portafab.com">engineer@portafab.com</a> (800) 325-3781	These documents were developed by PORTAFAB Corporation. The information contained herein is the property of PORTAFAB Corporation. They are not to be copied or otherwise used without the express written permission of PORTAFAB Corporation.	REV.	DESCRIPTION	DATE
	CD		PANEL HEIGHT: N/A						
SHEET NO.	CHECKED BY:	SHIP DATE:	PANEL FINISH: PEARL (#750) FRP	6x10 SHELTER					
	N/A	REVISIONS:	PANEL CONSTRUCTION:						
1 OF 1									

SUPPLIER MAKES NO REPRESENTATION THAT THE BUILDING OR COMPONENT DEPICTED HEREIN COMPLIES WITH APPLICABLE CODES OR ORDINANCES. PURCHASER SHOULD VERIFY COMPLIANCE WITH SUCH CODES AND ORDINANCES.