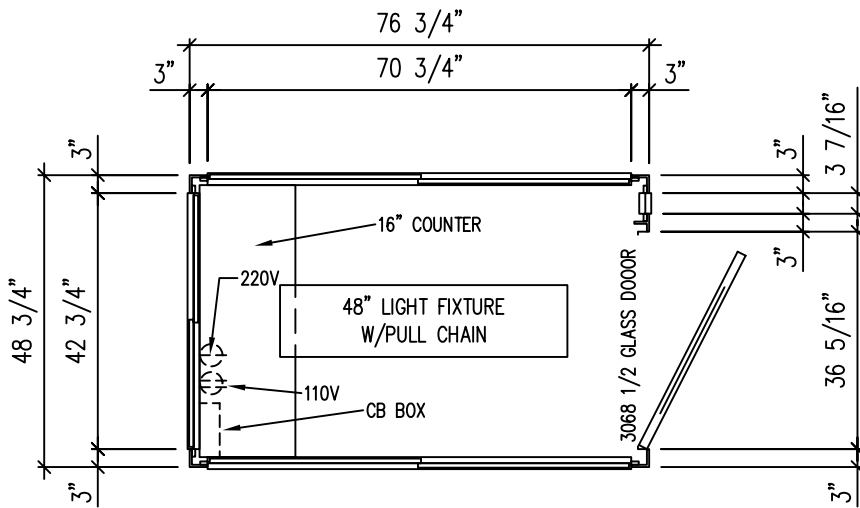
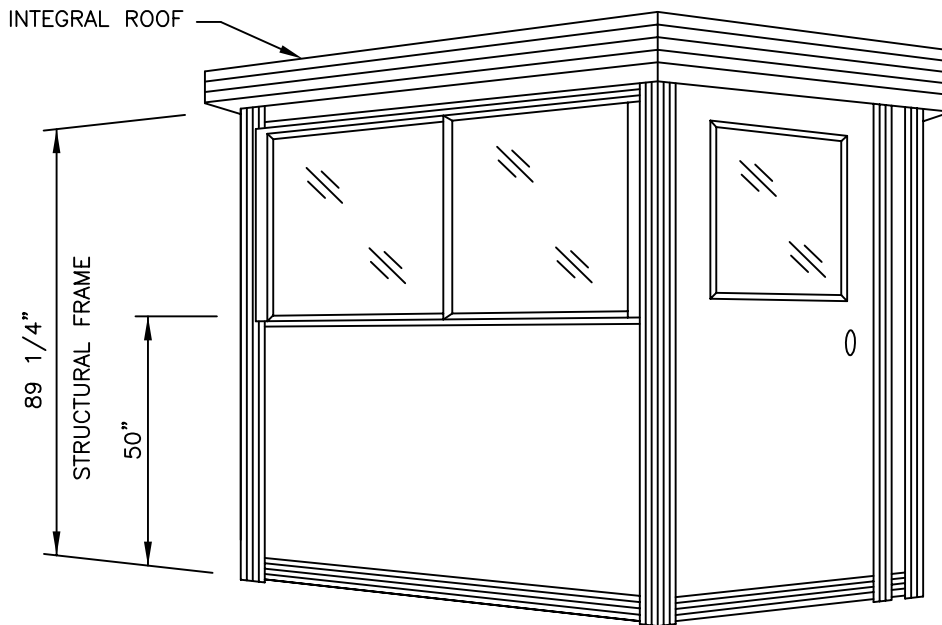


GENERAL NOTES:

- 1) GRAY FRP INTERIOR & EXTERIOR WALL SURFACE.
- 2) ALUMINUM FRAMING EXTRUSIONS HAVE A MILL FINISH.
- 3) ALL WINDOWS, INCLUDING DOORS HAVE CLEAR TEMPERED GLASS.
- 4) UNIT INCLUDES FACTORY INSTALLED INTEGRAL ROOF.
- 5) INTERIOR CLEAR HEIGHT (FLOOR-TO-CEILING) IS 82 5/8".
- 6) OVERALL EXTERIOR HEIGHT IS 91".
- 7) FINISHED FLOORING TO BE ALUMINUM TREADPLATE.
- 8) THE 2x4 SUPPORT BOARDS ATTACHED TO THE UNDERSIDE OF THE BLDG. ARE USED FOR SHIPPING PURPOSES ONLY AND NEED TO BE REMOVED AT INSTALLATION.



FLOOR PLAN



*MODEL 46*

MODEL 46

PRE ASSEMBLED

**PORTA-FAB  
CORPORATION**

P.O. BOX 1084 CHESTERFIELD, MO. 63006-1084

JOB: 01PA06

SCALE

N/A

DATE

These documents were developed by PORTA-FAB Corporation. The contents of these documents are the proprietary property of PORTA-FAB Corporation. They are not to be copied or otherwise used without the express written permission of PORTA-FAB Corporation. Copyright 2003 PORTA-FAB Corp.

DRAWN BY

SLC

REVISED

CHECKED

SHEET NO. 1 OF 1