

# PORTAFAB

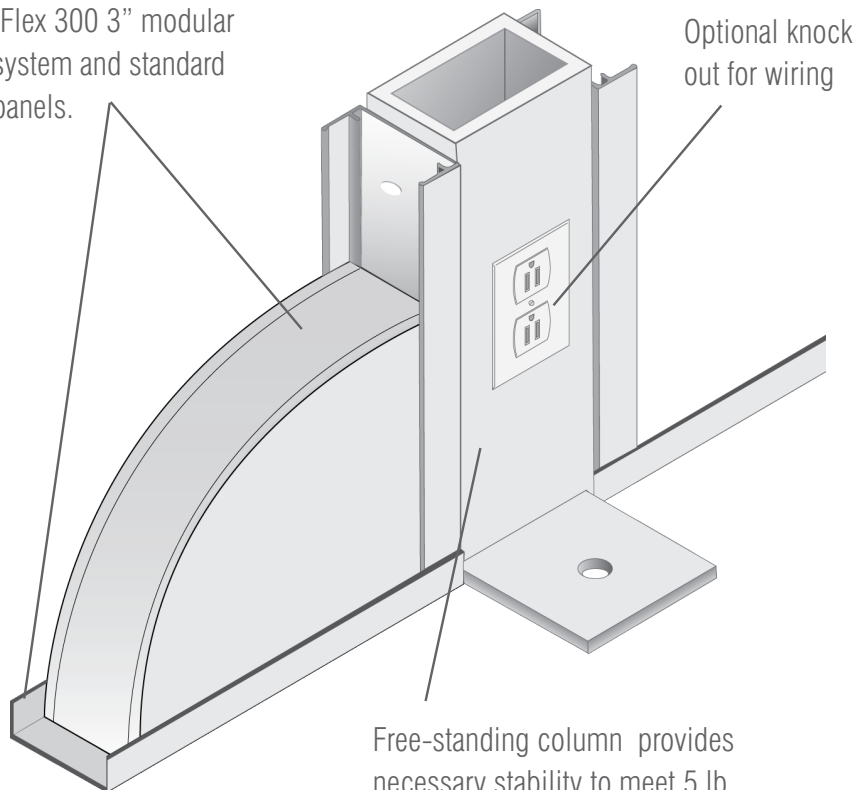
## FREE STANDING WALL PARTITIONS



With the free standing wall support component, PortaFab's OmniFlex 300 modular office systems can be used to create all types of self supporting walls.

- Separate plant space
- Create manufacturing cells
- Reduce material costs –no roof, ceiling, lighting, fire suppression, or HVAC
- Reduced installation time and costs
- Meets 5 lb. per square foot lateral load requirement for interior walls over 60" tall
- More durable than traditional office partitions

Integrates with PortaFab's OmniFlex 300 3" modular wall system and standard wall panels.



Free-standing column provides necessary stability to meet 5 lb. per square foot load requirement.



Custom colors and window panels enhance the look for office applications.



Create defined work areas without extensive space renovations.

### PortaFab Corporation

18080 Chesterfield Airport Road  
Chesterfield, MO 63005  
Tel: 1-800-325-3781 1-636-537-5555  
Fax: 1-636-537-2955  
e-mail: [info@portafab.com](mailto:info@portafab.com)  
[www.portafab.com](http://www.portafab.com)

**PORTAFAB**  
Modular Building Systems